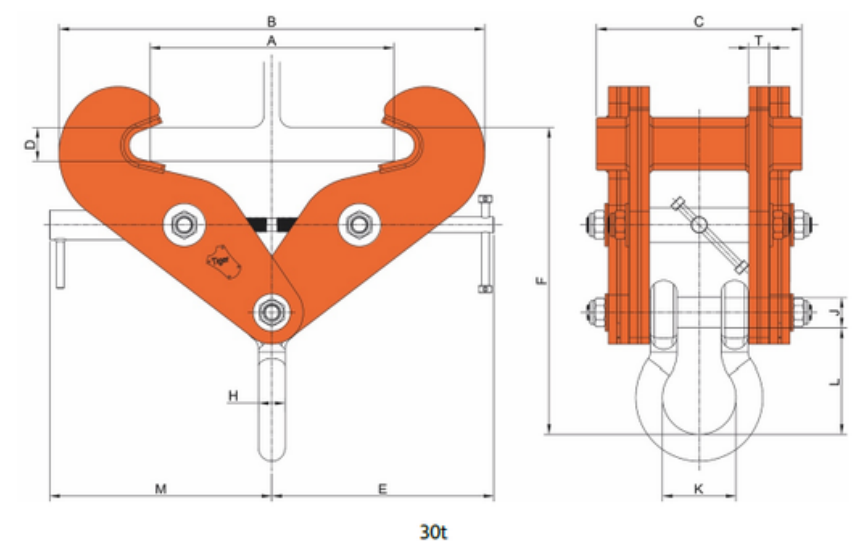
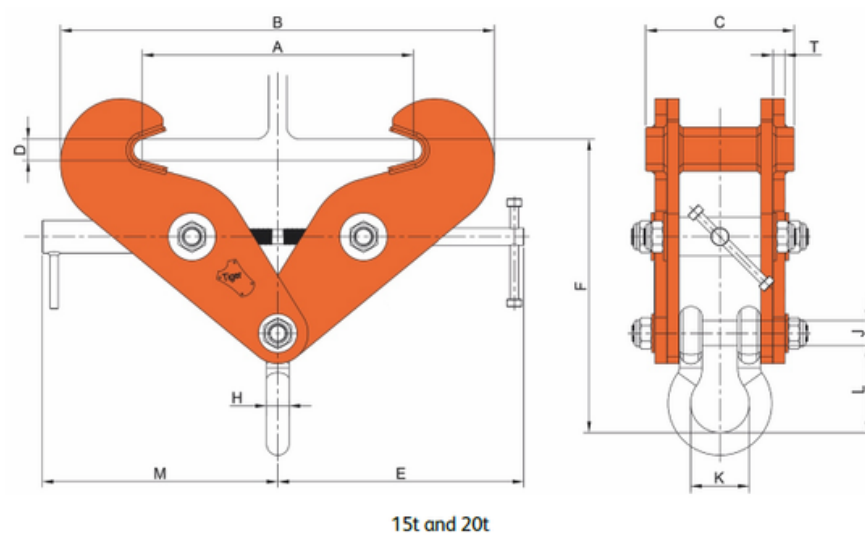
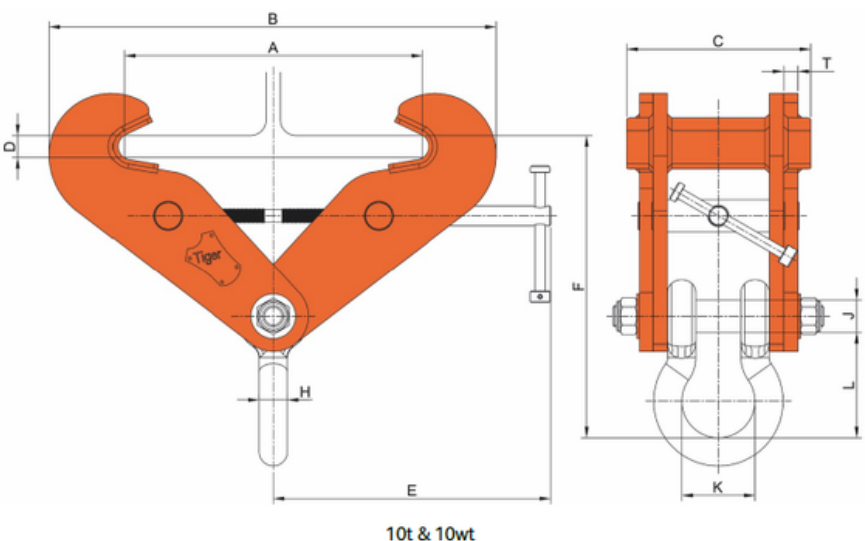
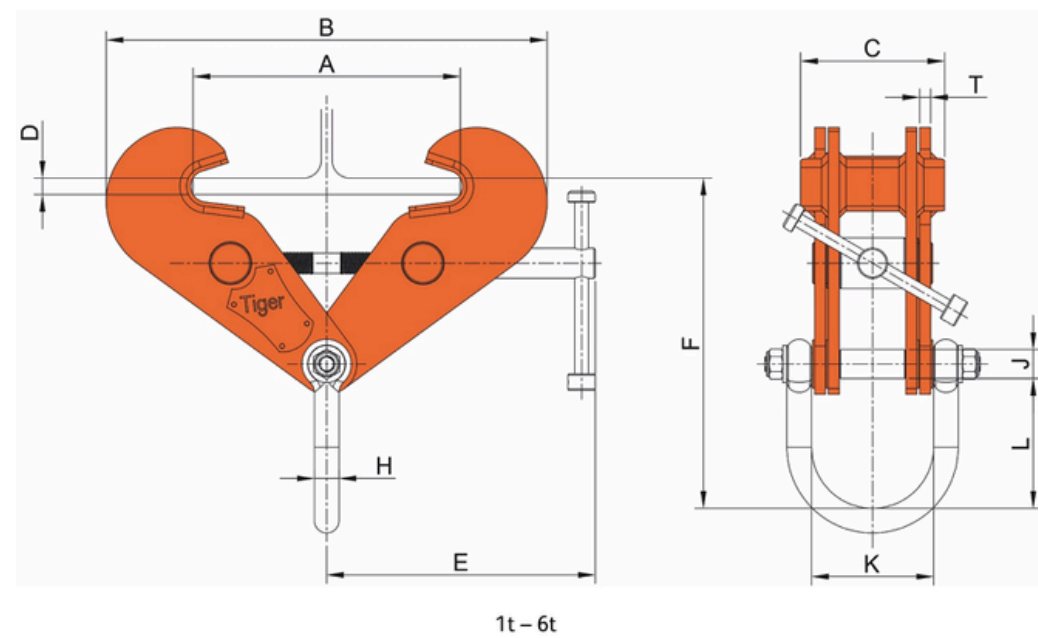


TYPE BCF FIXED JAW BEAM CLAMP WITH SHACKLE

Capacity 1.0t - 30.0t



Product:	BCF-0100	BCF-0200	BCF-0300	BCF-030S	BCF-0500	BCF-050S	BCF-0600	BCF-1000	BCF-100W	BCF-1500	BCF-2000	BCF-3000	
SKU:	214-2-1	214-2-2	214-2-3	214-2-4	214-2-5	214-2-6	214-2-7	214-2-8	214-2-9	214-2-10	214-2-11	214-2-12	
Capacity	(t)	1.0	2.0	3.0	3.0	5.0	5.0	6.0	10.0	10.0	15.0	20.0	30.0
A	(mm)	75-195	75-195	100-350	75-190	100-310	75-190	203-457	120-350	203-457	203-457	203-457	203-457
B	(mm)	206-330	206-330	223-488	216-333	223-450	216-333	411-691	282-527	415-694	463-731	471-768	500-800
C	(mm)	105	105	140	140	140	140	140	210	210	250	300	385
D	(mm)	20	20	25	20	25	20	42	30	42	36	50	63
E	(mm)	195	195	270	195	288	195	370	316	370	416	416	416
F	(mm)	257-230	268-242	364-297	267-237	370-320	272-243	486-418	400-338	500-430	556-496	603-540	635-572
H	(mm)	16	18	22	22	27	27	27	32	32	38	45	50
J	(mm)	21	21	27	27	27	27	27	37	37	43.5	49	57
K	(mm)	80	88	110	110	124	124	124	83	83	99	126	138
L	(mm)	84	95	105	105	111	111	111	120	120	146	179	197
M	(mm)	-	-	-	-	-	-	-	-	-	400	408	416
T	(mm)	6	8	10	10	12	12	12	16	16	20	24	38
Net Weight	(kg)	5.5	6.5	12.0	9.5	14.5	11.0	29.9	26.5	44.2	76.0	100.0	152.0



*For guidance only - verify suitability before use. E&OE. V2-26