
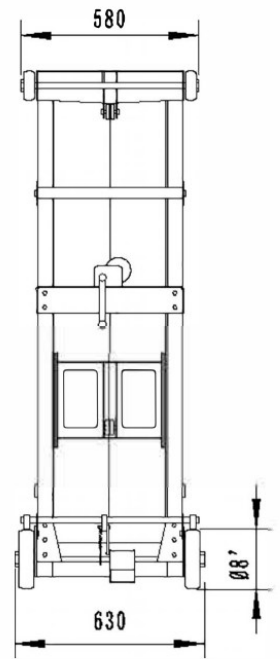
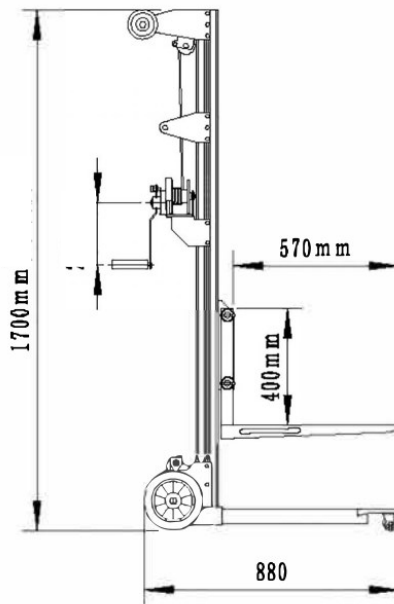


# LIGHTWEIGHT ALUMINIUM HAND STACKER TRUCK

## 403-17-2

<b>Finish</b>	Aluminium
<b>Standards</b>	EN 1757-1:2001
<b>Directives</b>	EC Machinery Directive: 2006/42/EC, Machinery (Safety) Regulations 2008
<b>Markings / Certification</b>	
<b>Notes</b>	Machinery (Safety) Regulations 2008 / Machinery Directive 2006/42/EC



Code	Capacity	Max. Fork Height	Mast Height	Total Depth	Min. Lifting Fork Height	Base Legs Max. Width	Fork Length	Weight
403-17-2	181kg	254mm	2500mm	1080mm	90mm	630mm	570mm	66kg