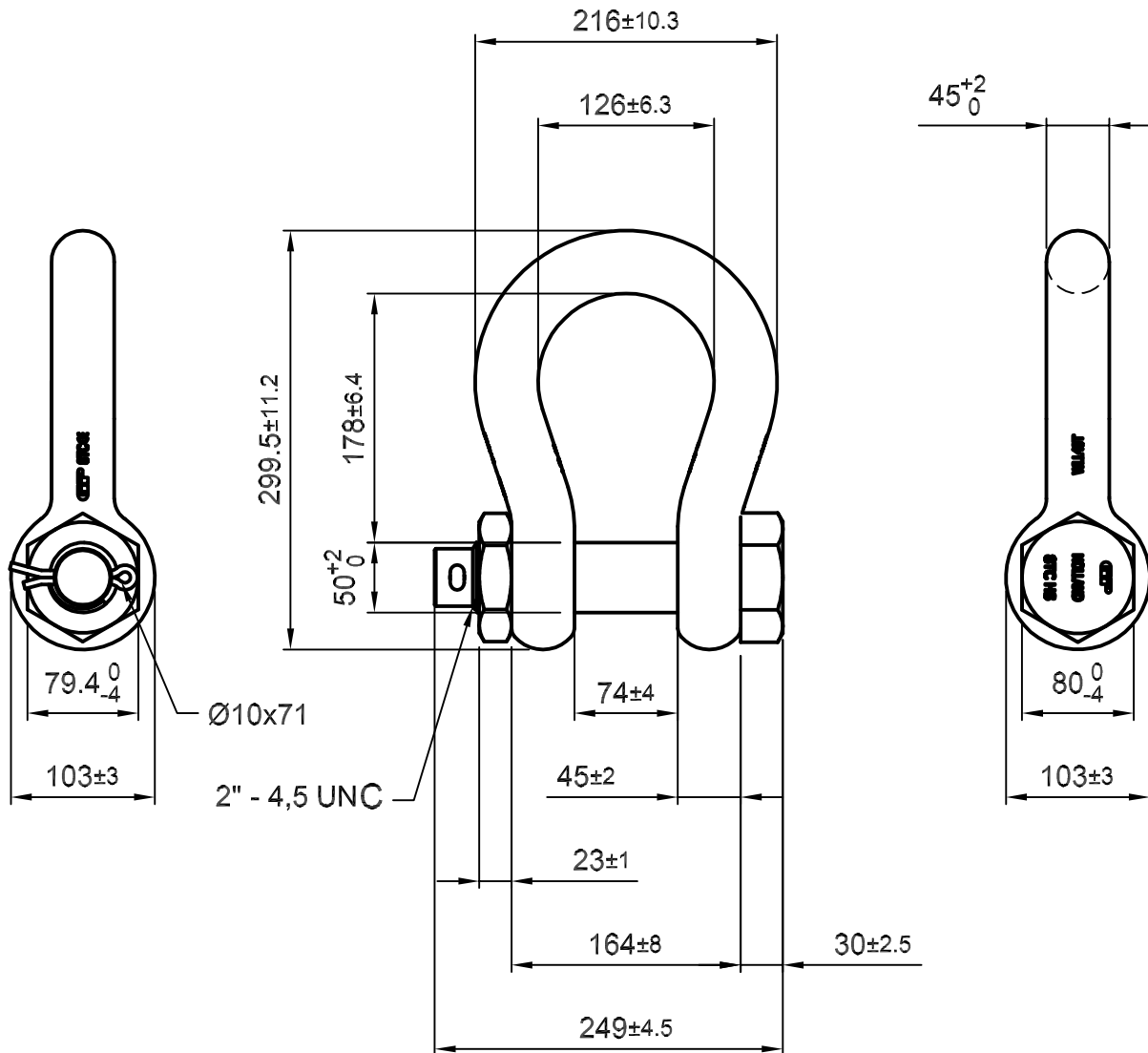


Green Pin® Super Shackles

Group : G-5263

Part : SUGHMB45

WLL : 40 t



We reserve the right to make amendments on specifications in this drawing without prior notification.



P.O. Box 57, 3360 AB Sliedrecht
(The Netherlands)
Industrieweg 6, 3361 HJ Sliedrecht
Tel. 0184-413300 Fax. 0184-413101

| Rev. | Description | Date | Drawn |
|------|-------------|----------|-------|
| 0 | First Issue | 31-07-09 | H.T. |

Copyright by Van Beest B.V. moreover this document is the property of Van Beest B.V. This document or any part of it may neither be made known, copied or multiplied, nor used for any purpose other than that for which it is specifically furnished, without the prior written consent of Van Beest B.V.

Title **Green Pin® Super Shackles
bow shackles with safety bolt**

Remark
G-5263
SUGHMB45

| | | |
|----------------|------|------|
| Format | A4 | |
| Scale | 1:5 | |
| Drawing number | 5134 | Rev. |
| | | 0 |