

RACK-A-TIERS WIRE DISPENSER

PART# 11455
UPC: 6-25912-11455-5

INTRODUCTION

Your new Rack-A-Tiers® is a quality tool that has been carefully designed and manufactured to provide years of dependable service. These instructions will familiarize you with Rack-A-Tiers®. They list important facts and features which describe basic operating techniques. Set up instructions and various usage situations are provided. Safe use of your Rack-A-Tiers® must always be a priority. Rack-A-Tiers® are designed to be used on a flat, stable surface. Serviceability and safety decrease if the work area is uneven or unstable. Common sense and care must be exercised when using Rack-A-Tiers® for any of its many functions. Rack-A-Tiers® have a variety of uses utilizing different positions of set up. Rack-A-Tiers® are sold in pairs and are referred to as a set. Both Rack-A-Tiers® in the set are identical and interlock. Rack-A-Tiers® are shipped interlocked and have a number of uses in this position. For other uses, Rack-A-Tiers® must be separated.

WORK BENCH AND SEAT

When interlocked, Rack-A-Tiers® can be used as a seat. While in this same position, they can be used as a small work bench. Each Rack-A-Tier® base has four 1 3/8" (35mm) holes and 'gunsight' alignment marks to permit drilling through various materials. It is recommended that materials being drilled are clamped onto the Rack-A-Tier®. **RACK-A-TIERS® ARE NOT TO BE USED AS A STEP OR LADDER.**

TRANSPORTATION

For transportation of your Rack-A-Tiers®, simply tip the set 90° and carry with either of the two side handles. While in the carrying position, the four 1 3/8" (35mm) holes in each base can be used to hold axles, conduits, pipe, benders, materials etc. and still only require one hand for transport.

SET UP

To separate the set of Rack-A-Tiers®, place either base on the ground, position your feet on the top of this base and pull up on the inverted base of the other Rack-A-Tier®. To return the pair to the interlocked position, align the two smooth sides of the verticals and press down firmly to snap them together.



ONE YEAR LIMITED WARRANTY

This guarantee covers the following:

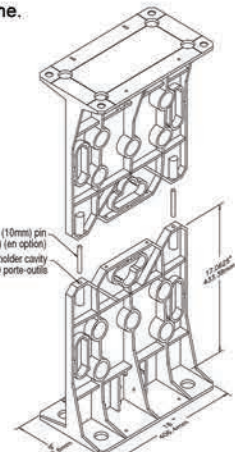
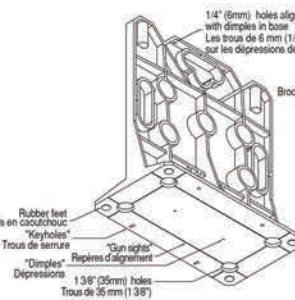
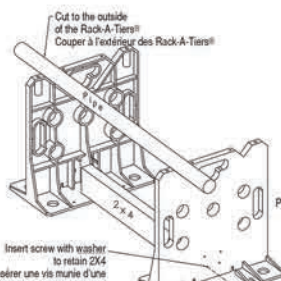
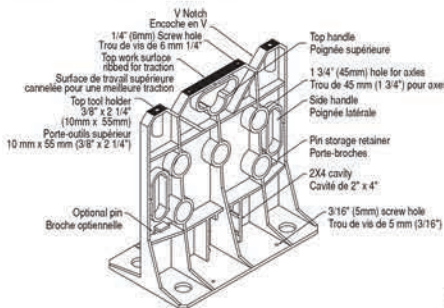
- Defective parts and materials.
- Defective workmanship.

Unit failure under normal use.

This warranty does not cover damage resulting from negligent handling, misuse or lack of reasonable care. Failure to follow the instructions shall dissolve all obligations of Rack-A-Tiers Manufacturing Inc. Please retain proof of purchase as your warranty certificate.

To obtain repair or replacement, call 1-888-939-9991 or return unit prepaid to the nearest authorized Rack-A-Tiers Manufacturing Inc. service depot or point of purchase. Authorized service depot:

Rack-A-Tiers Manufacturing Inc.
554 Dupplin Road
Victoria, B.C., CANADA V8Z 1C1
Website: www.rack-a-tiers.com



SAW HORSES

The heart of Rack-A-Tiers® is their ability to be easily separated and adjusted to support a wide range of sizes of conduit, lumber etc. The two Rack-A-Tiers® are simply placed the appropriate distance apart to support the object(s) as required. For added stability, each Rack-A-Tier® can be screwed down to the floor if this is practical. There are two 3/16" (5mm) holes and two "key holes" in each base for this purpose. Caution! Whenever screws are used through any of the 3/16" (5mm) holes in the Rack-A-Tiers®, #10 OR LARGER WASHERS must be used to prevent the screw head from 'pulling through' the plastic. See drawing 'C'. Each Rack-A-Tier® has two 2x4 cavities to accommodate a common 'stud' to be positioned between the two separated Rack-A-Tiers®. Insert a screw with a washer through the Rack-A-Tier® upright and into the end of the 2x4 to secure it in place. See drawing 'A'. When set up in this manner, Rack-A-Tiers® have extra stability for accommodating larger objects such as sheets of plywood, lumber, firewood, cabinets, etc. **DO NOT EXCEED A 330 LB. (150 KG) LOAD PER PAIR OF RACK-A-TIERS®.** See drawing 'B'.

PIPE VISE

The two 'V' notches in the top of the Rack-A-Tier® make an excellent 'pipe vise' for all sizes of conduit or other irregular shaped materials such as steel studs, moldings, angle iron, ready rod, etc. Position each Rack-A-Tier® the appropriate distance apart to support the work as required. The ribbed side of the verticals can be turned in towards the centers and the cutting takes place by the outer smooth side to prevent damage to the Rack-A-Tier® by the saw blade. Cutting off the outboard ends prevents binding and kickback of the saw blade. For added stability, place one foot on the base of the Rack-A-Tier® closest to the saw or place a knee or foot on the material being cut. See drawing 'B'.

PULLING WIRE

As wire stands, Rack-A-Tiers® are unmatched in their ease and speed of set up and ability to accommodate a wide variety of wire reel sizes. Each Rack-A-Tier® has five 1 3/4" (44.5 mm) holes, three handles and two 'V' notches to hold axles to suit the size and quantity of wire rolls used. Axles made of short lengths of 3/4" or 1" EMT are recommended for general use but rigid pipe, bender handles, copper pipe or whatever is available will suffice. For a more compact set up when using multiple smaller wire reels such as RW90, use two axles to keep the set up narrow. To get the maximum elevation for large wire reels, use the top 'V' notches and utilize the largest diameter axle that will fit the reel. When using the top 'notches' in this manner, pull from the lower side of the reel and position the reel in the 'notches' to prevent the Rack-A-Tiers® from toppling. Position each Rack-A-Tier® close to the wire reel(s) for all wire pulling. **WEIGHT SHOULD NOT EXCEED 330 LB. (150 KG).**

SAFETY RULES

- A. Do not stand on Rack-A-Tiers®.
- B. Use only on flat, stable surfaces.
- C. Do not apply a load in excess of 330 lb. (150 kg) per set of Rack-A-Tiers®.
- D. When using screws or bolts to fasten Rack-A-Tiers® to a surface, use #10 OR LARGER WASHERS to prevent the heads pulling through the plastic.
- E. Do not apply an unbalanced load which could cause Rack-A-Tiers® to tip.
- F. When using power tools with Rack-A-Tiers®, use safety glasses and follow the safety rules that apply to the tool.
- G. Do not expose Rack-A-Tiers® to a direct flame.
- H. Read and follow instructions and warnings.